



Belgium

partner in development

PUBLIC WORKS CONTRACT FOR THE
STRENGTHENING OF RETAINING WALL AND REPAIR
OF CORRIDOR AT AL-SHABBAT AL-SHAMELEH
SCONDARY SCHOOL IN EAST JERUSALEM

REFERENCE NO. PSE22001-10086

Evaluated By:

Contracting Authority:



Center for Civil &
Environmental
Engineering
Studies Co.

CES

Palestine - Ramallah - Surda - Main St. - Jawharat Surda Building
Tel: +972 2 2960930, Fax: +972 2 2960931,



Enabel - Belgian Development Agency

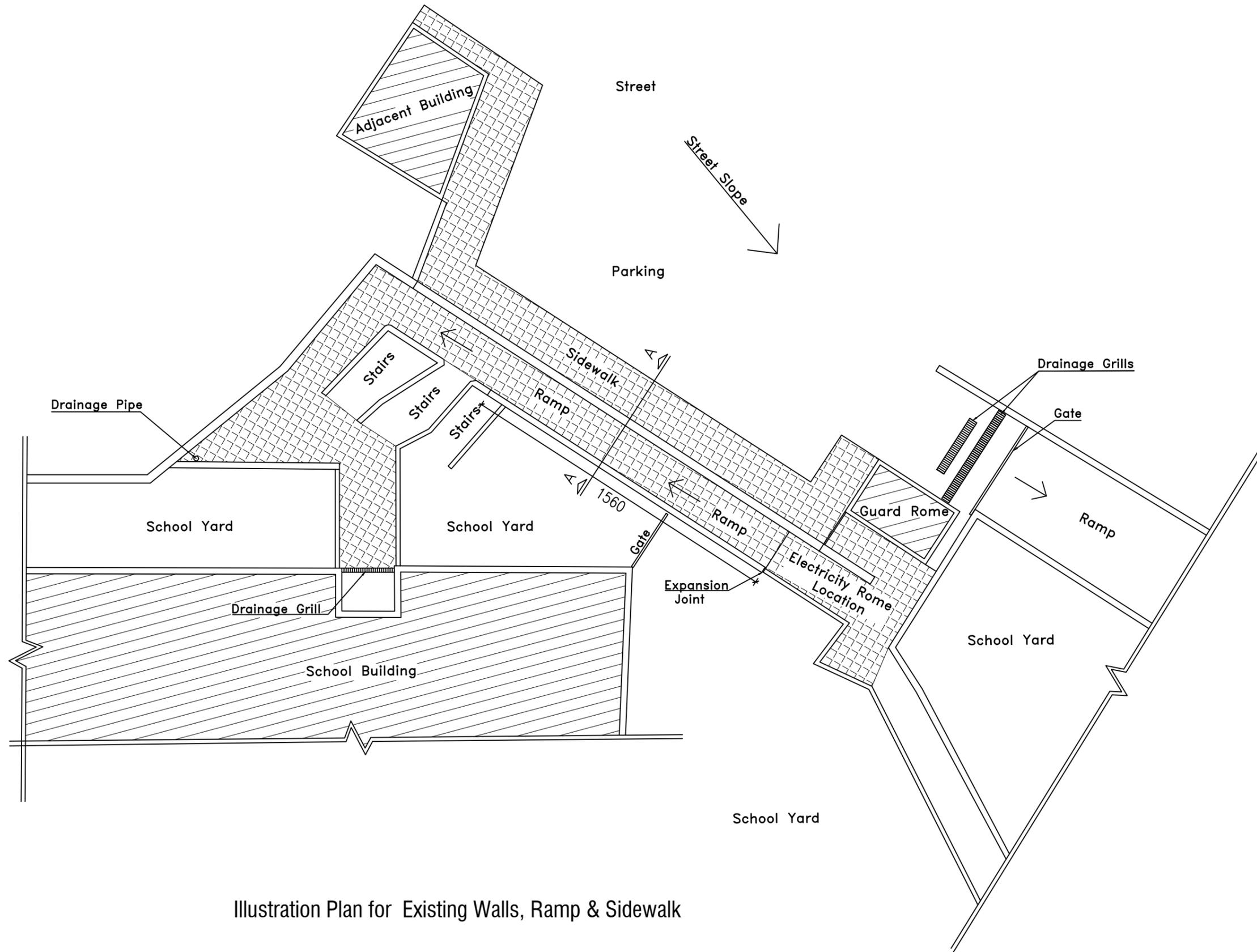


Illustration Plan for Existing Walls, Ramp & Sidewalk

Notes

- (1) All Dimensions are In centimeter UNO.
- (2) All Levels are in mete UNO.

General Notes:

Contracting Authority:



Enabel - Belgian Development Agency

Funded By:



Project Name:

PUBLIC WORKS CONTRACT FOR THE STRENGTHENING OF RETAINING WALL AND REPAIR OF CORRIDOR AT AL-SHABBAT AL-SHAMELEH SECONDARY SCHOOL IN EAST JERUSALEM

Reference No.: PSE22001-10086

Evaluated by:



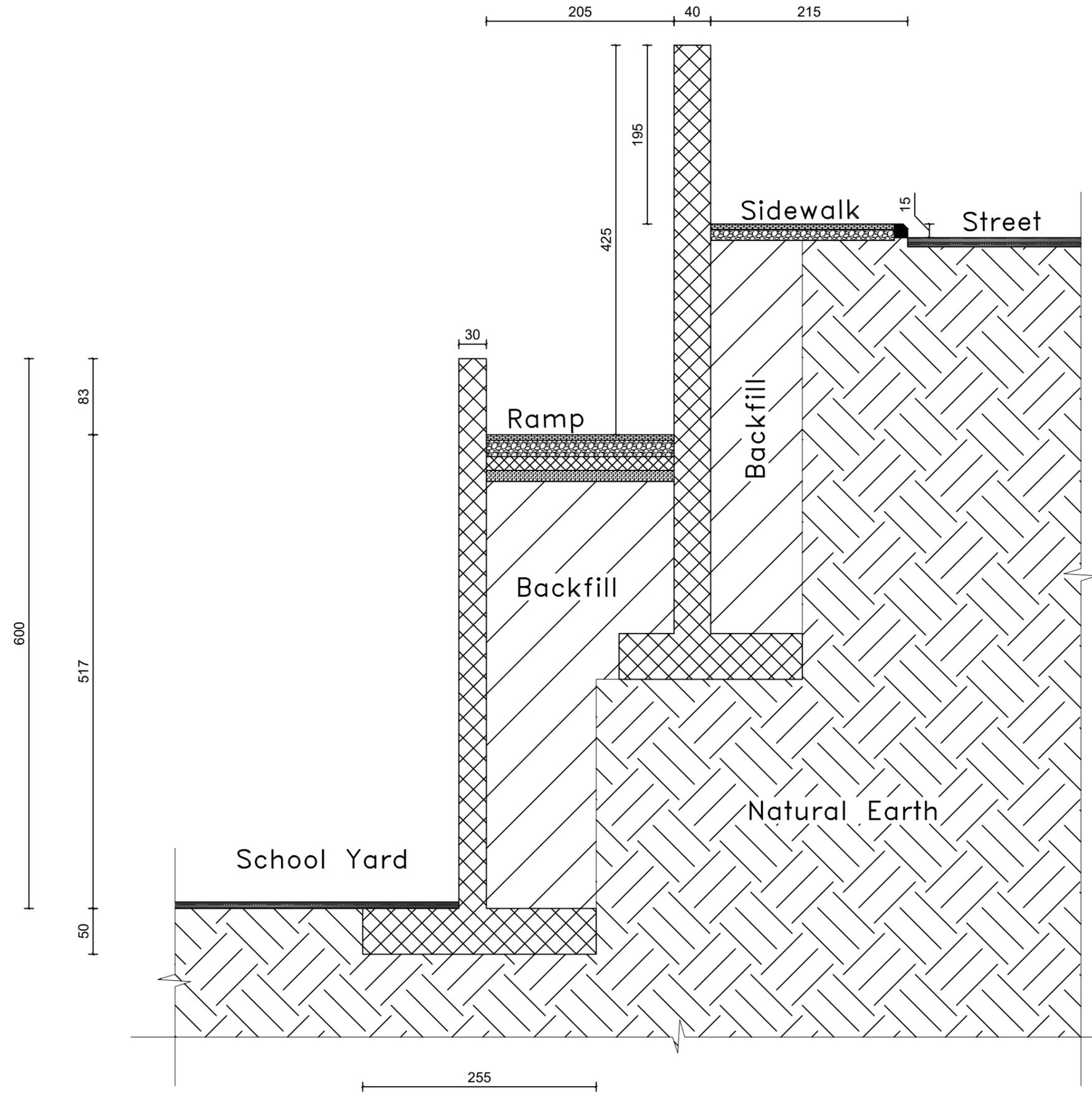
Drawing Title:

Illustration Plan - Existing Condition

Drawn by: **Asab Yacoub**

Approved by: **M. Abdullah**

Scale:	Date:	Drawing Code:
1:200	Sep 2024	S01



Existing Retaining Walls
Cross Section-(A-A)

Notes

- (1) All Dimensions are In centimeter UNO.
- (2) All Levels are in mete UNO.

General Notes:

Contracting Authority:



Enabel - Belgian Development Agency

Funded By:



Project Name:

PUBLIC WORKS CONTRACT FOR THE STRENGTHENING OF RETAINING WALL AND REPAIR OF CORRIDOR AT AL-SHABBAT AL-SHAMELEH SECONDARY SCHOOL IN EAST JERUSALEM

Reference No.: PSE22001-10086

Evaluated by:



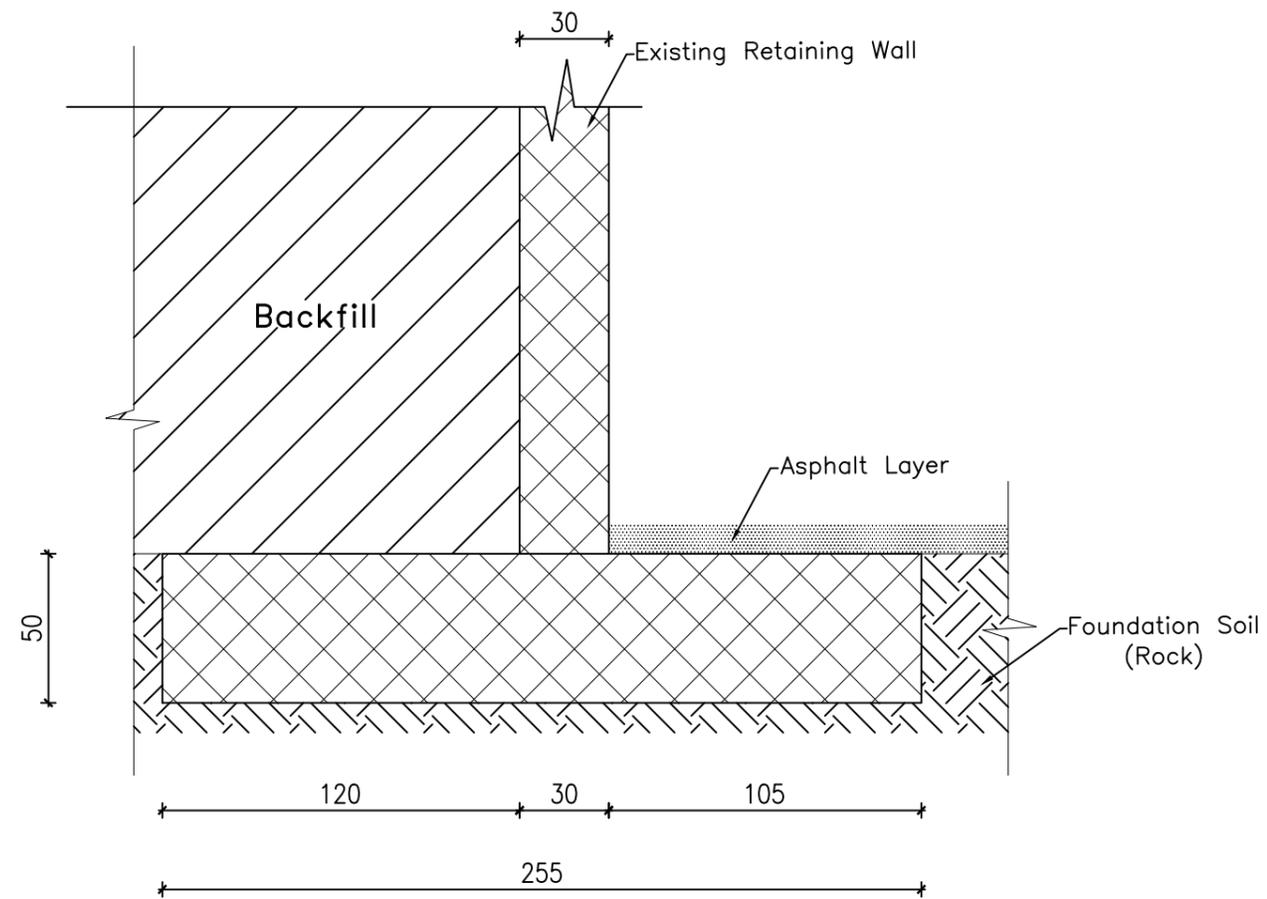
Drawing Title:

Existing Retaining Walls - Section A-A

Drawn by: **Asab Yacoub**

Approved by: **M. Abdullah**

Scale:	Date:	Drawing Code:
1:50	Sep 2024	S02



Test Pit - 1
Cross Section-Existing Retaining Wall Footing

Notes

- (1) All Dimensions are in centimeter UNO.
- (2) All Levels are in mete UNO.

General Notes:

Contracting Authority:



Enabel - Belgian Development Agency

Funded By:



Project Name:

PUBLIC WORKS CONTRACT FOR THE STRENGTHENING OF RETAINING WALL AND REPAIR OF CORRIDOR AT AL-SHABBAT AL-SHAMELEH SECONDARY SCHOOL IN EAST JERUSALEM

Reference No.: PSE22001-10086

Evaluated by:



Drawing Title:

Cross-section Existing Retaining Wall

Drawn by: **Asab Yacoub**

Approved by: **M. Abdullah**

Scale:	Date:	Drawing Code:
1:25	Sep 2024	S03

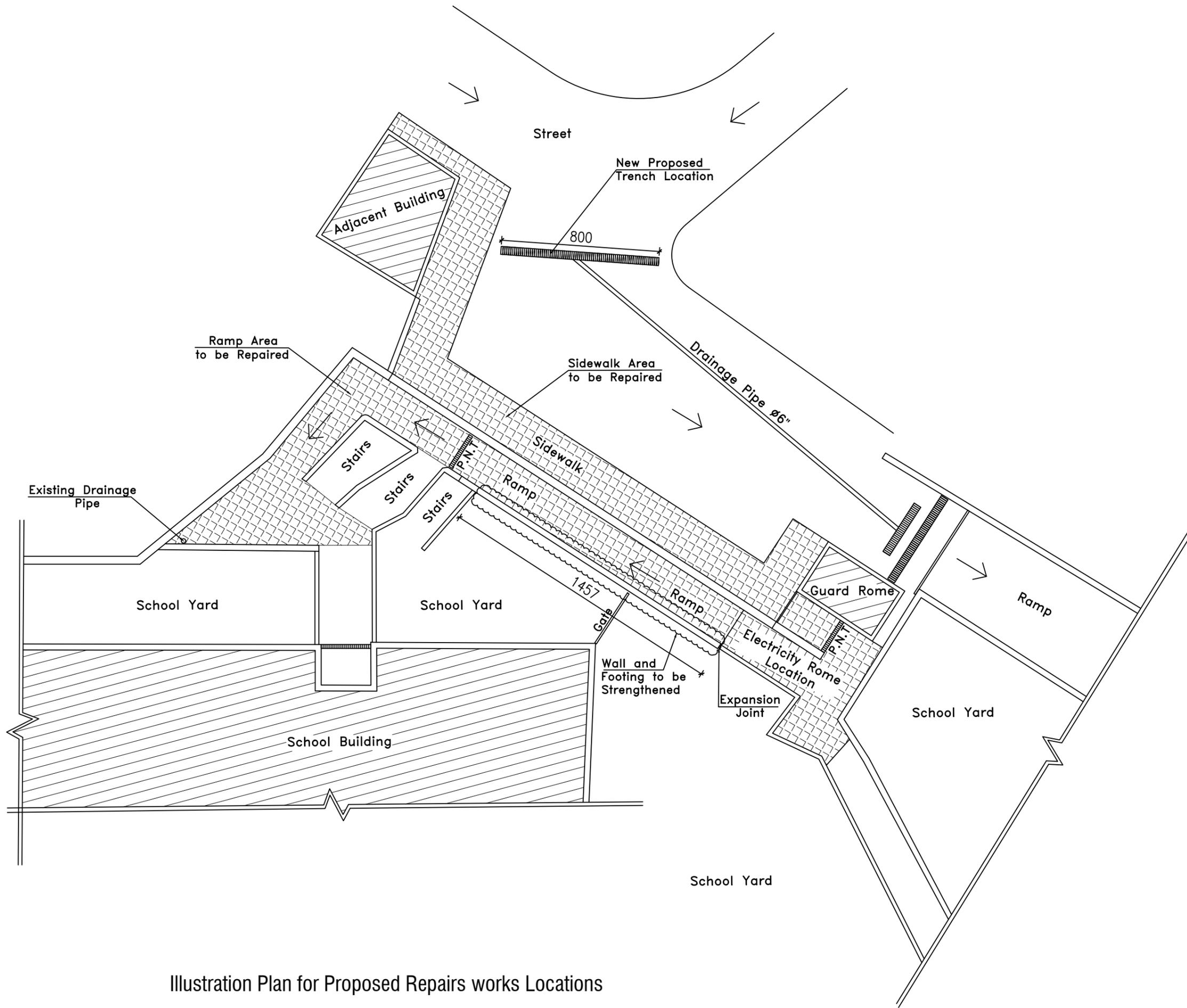


Illustration Plan for Proposed Repairs works Locations

Notes

- (1) All Dimensions are In centimeter UNO.
- (2) All Levels are in mete UNO.

General Notes:

Contracting Authority:



Enabel - Belgian Development Agency

Funded By:



Project Name:

PUBLIC WORKS CONTRACT FOR THE STRENGTHENING OF RETAINING WALL AND REPAIR OF CORRIDOR AT AL-SHABBAT AL-SHAMELEH SECONDARY SCHOOL IN EAST JERUSALEM

Reference No.: PSE22001-10086

Evaluated by:



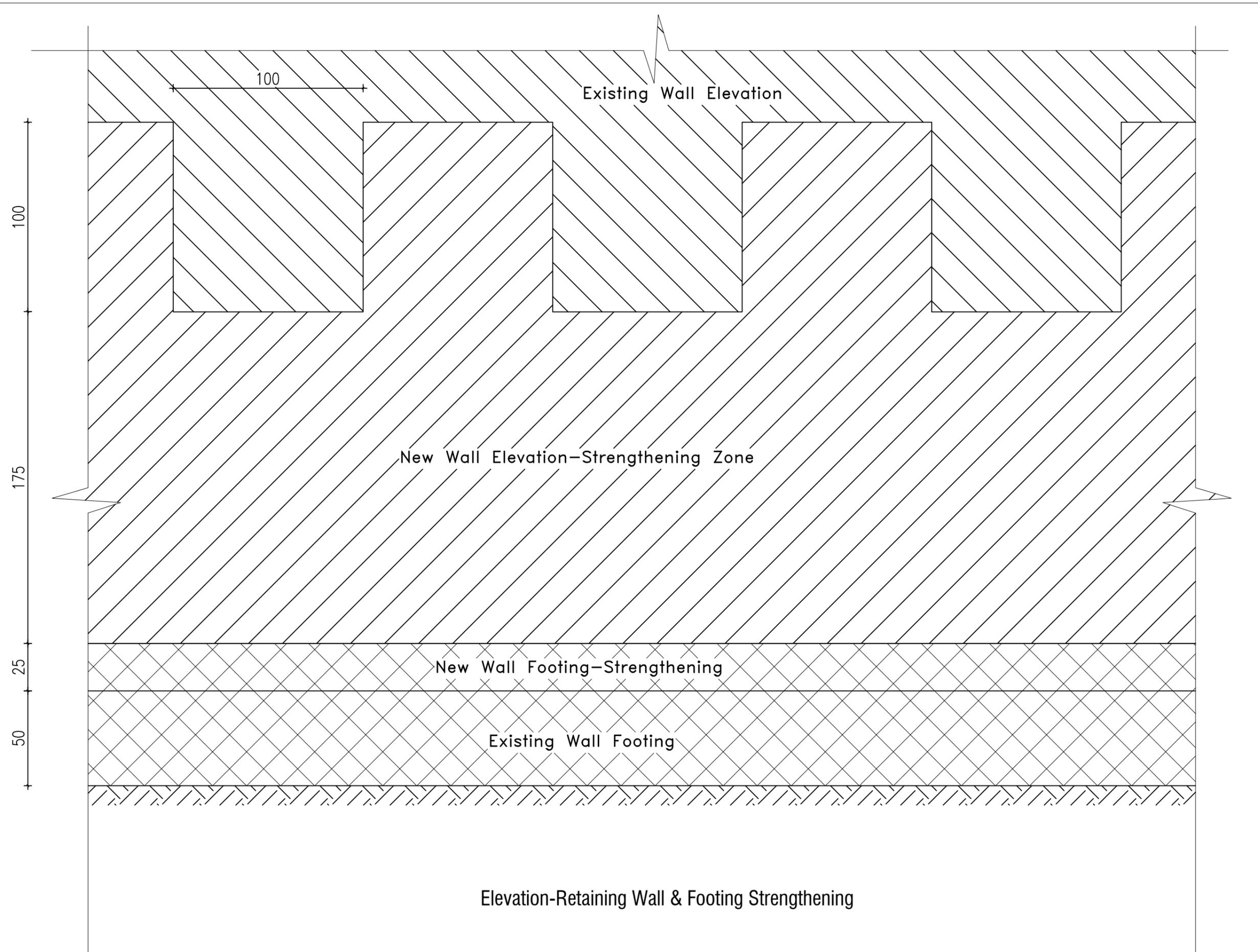
Drawing Title:

Proposed Strengthening Wall Location

Drawn by: **Asab Yacoub**

Approved by: **M. Abdullah**

Scale:	Date:	Drawing Code:
1:200	Sep 2024	S04



Notes
 (1) All Dimensions are In centimeter UNO.
 (2) All Levels are in mete UNO.

General Notes:
 * New Concrete Cover is 5 cm

Contracting Authority:

 Enabel - Belgian Development Agency

Funded By:
 **Belgium**
 partner in development

Project Name:
 PUBLIC WORKS CONTRACT FOR THE STRENGTHENING OF RETAINING WALL AND REPAIR OF CORRIDOR AT AL-SHABBAT AL-SHAMELEH SECONDARY SCHOOL IN EAST JERUSALEM

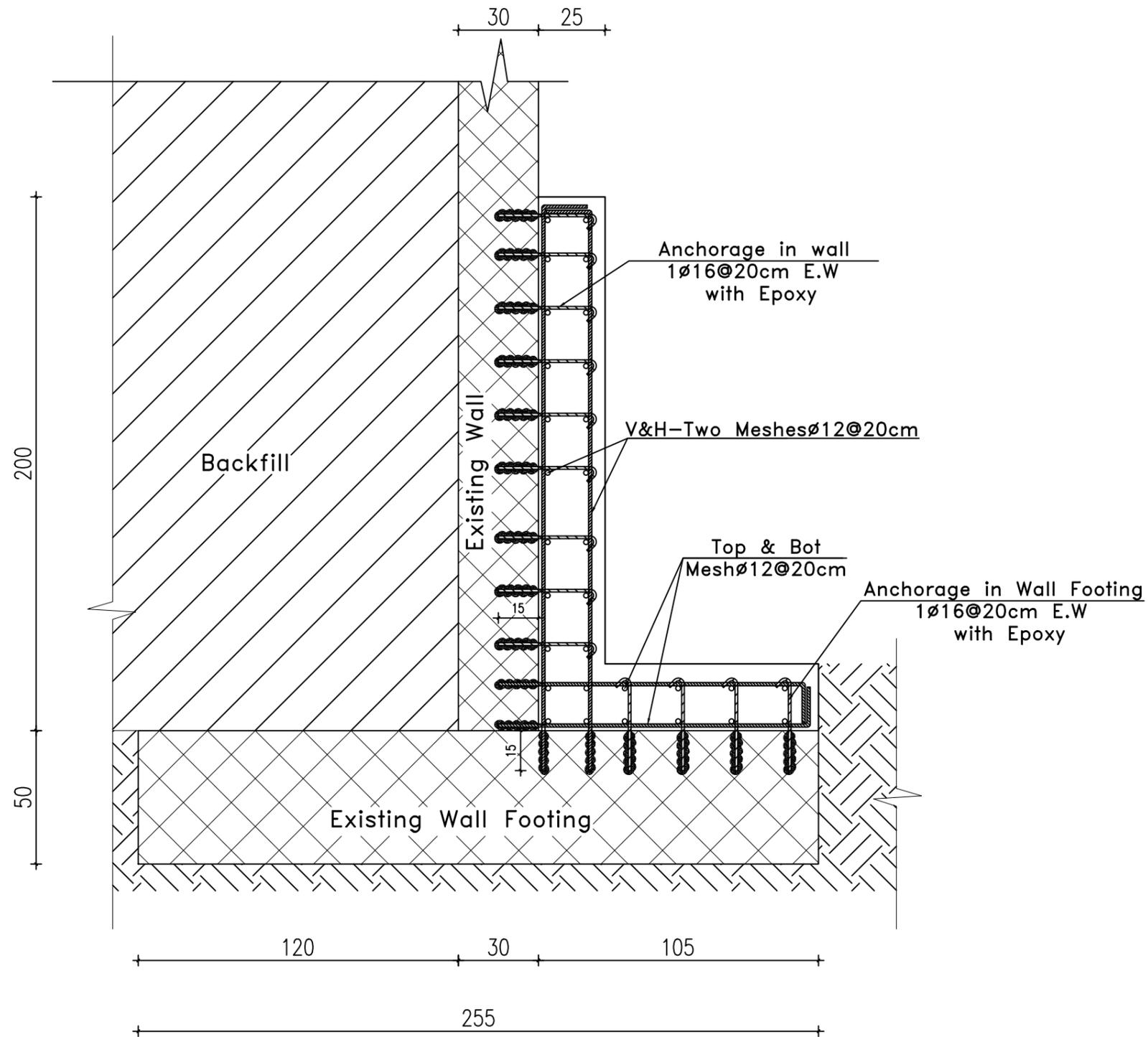
Reference No.: PSE22001-10086

Evaluated by:
 **Center for Civil & Environmental Engineering Studies Co.**

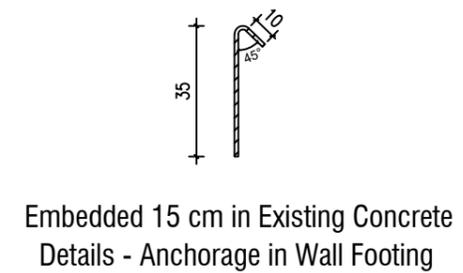
Drawing Title:
 Wall and Foundation Strengthening Elevation Plan

Drawn by: **Asab Yacoub**
 Approved by: **M. Abdullah**

Scale:	Date:	Drawing Code:
1:20	Sep 2024	S05



Cross Section-Retaining Wall & Footing Strengthening



Notes

- (1) All Dimensions are In centimeter UNO.
- (2) All Levels are in mete UNO.

General Notes:

* New Concrete Cover is 5 cm

Contracting Authority:



Enabel - Belgian Development Agency

Funded By:



Project Name:

PUBLIC WORKS CONTRACT FOR THE STRENGTHENING OF RETAINING WALL AND REPAIR OF CORRIDOR AT AL-SHABBAT AL-SHAMELEH SECONDARY SCHOOL IN EAST JERUSALEM

Reference No.: PSE22001-10086

Evaluated by:



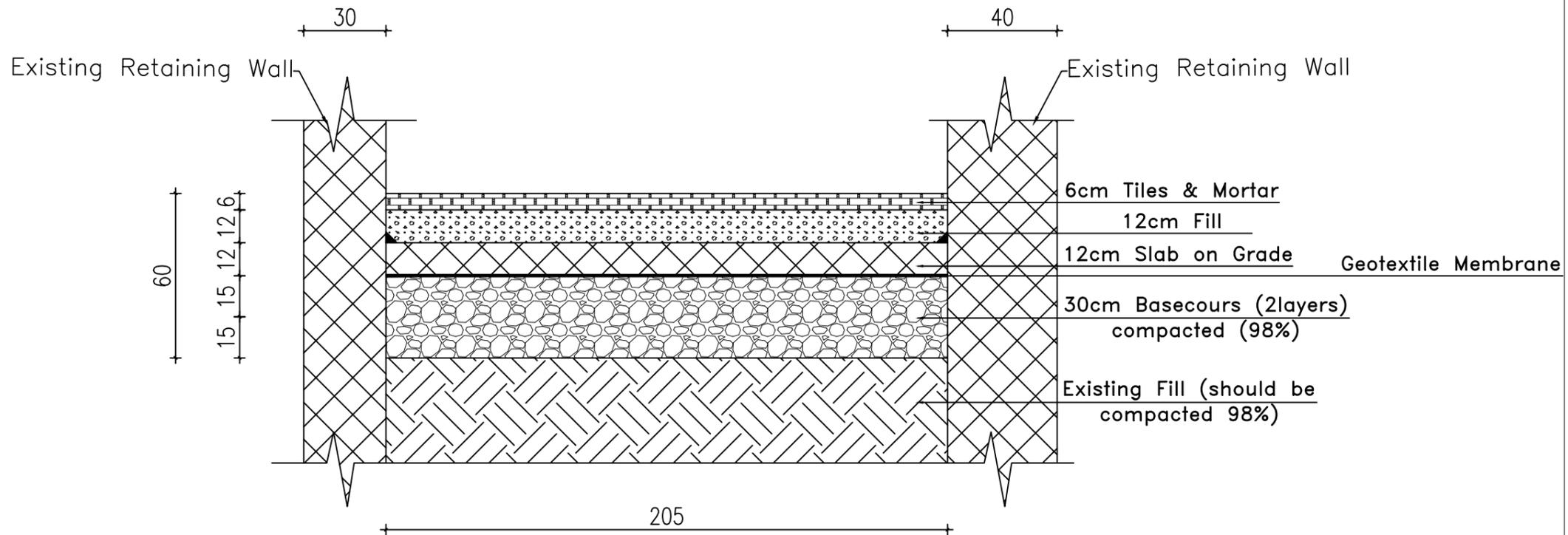
Drawing Title:

Wall and Foundation Strengthening Section Detail

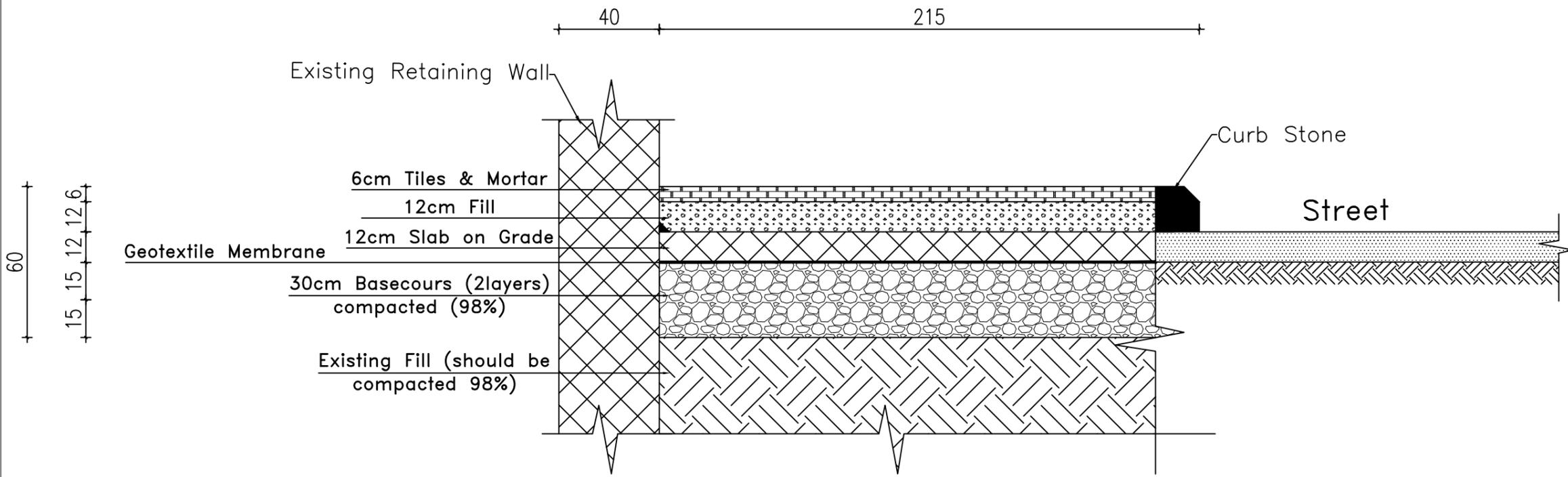
Drawn by: **Asab Yacoub**

Approved by: **M. Abdullah**

Scale:	Date:	Drawing Code:
1:20	Sep 2024	S06



General Cross Section in the path Floor (Ramp)



General Cross Section in the Sidewalk

Notes
 (1) All Dimensions are In centimeter UNO.
 (2) All Levels are in mete UNO.

General Notes:

Contracting Authority:

 Enabel - Belgian Development Agency

Funded By:
 **Belgium**
 partner in development

Project Name:
 PUBLIC WORKS CONTRACT FOR THE STRENGTHENING OF RETAINING WALL AND REPAIR OF CORRIDOR AT AL-SHABBAT AL-SHAMELEH SECONDARY SCHOOL IN EAST JERUSALEM

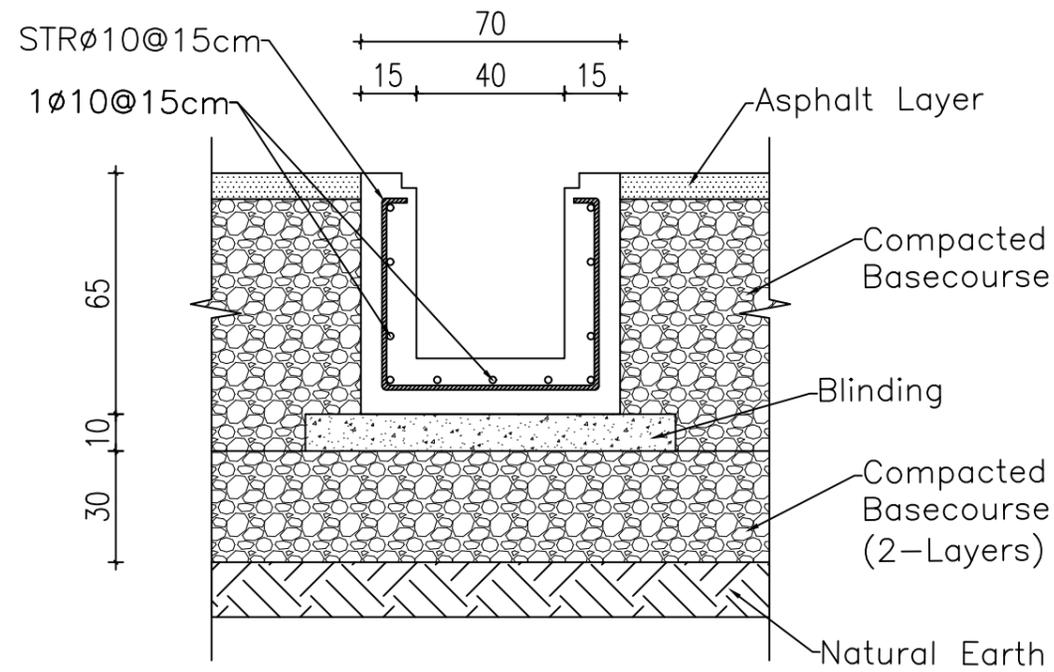
Reference No.: PSE22001-10086

Evaluated by:
 Center for Civil & Environmental Engineering Studies Co.

Drawing Title:
 Ramp and Sidewalks Repair Details

Drawn by: **Asab Yacoub**
 Approved by: **M. Abdullah**

Scale:	Date:	Drawing Code:
1:20	Sep 2024	S07



General Cross Section in the Concrete Trench

SCALE 1:20

Notes

- (1) All Dimensions are in centimeter UNO.
- (2) All Levels are in mete UNO.

General Notes:

Contracting Authority:



Enabel - Belgian Development Agency

Funded By:



Project Name:

PUBLIC WORKS CONTRACT FOR THE STRENGTHENING OF RETAINING WALL AND REPAIR OF CORRIDOR AT AL-SHABBAT AL-SHAMELEH SECONDARY SCHOOL IN EAST JERUSALEM

Reference No.: PSE22001-10086

Evaluated by:



Drawing Title:

Cast in place concrete trench cross section detail

Drawn by: **Asab Yacoub**

Approved by: **M. Abdullah**

Scale:	Date:	Drawing Code:
1:20	Sep 2024	S08